



**CICADA**  
A U D I O

**CX SERIES**  
**HIGH PERFORMANCE**  
**FULL-RANGE**  
**CO-AXIAL SPEAKERS**

**CX65.4 / CX65.2**  
**CX69.4 / CX69.2**

**Owners Manual**

# ABOUT CICADA



Congratulations, you have just purchased the finest Motorcycle Audio products on the market today. Cicada Audio products represent the latest advances in acoustic technology in sound reproduction for your Motorcycle applications. Cicada Audio products are designed, developed, and engineered using the latest innovative materials and components to provide the finest sound reproduction possible. Every Cicada Audio product has been Klippel verified and tested to ensure the best sounding and most reliable product on the market, if installed properly, Cicada Audio products will provide many years of the ultimate listening experience.

Please note that prolonged exposure to sound pressure levels in excess of 100dB can cause permanent hearing loss. Using Cicada Audio products can exceed that level so please exercise restraint in its operation in order to preserve your ability to enjoy its high fidelity sound for many years to come.

Cicada Audio recommends our products be professionally installed by an authorized Cicada Audio dealer to achieve the best possible system recommendation and installation. This will ensure a true Cicada Audio listening experience and sound you would expect from Cicada Audio products. In doing this you will extend your warranty from one year to two years.

MODEL	TYPE	POWER HANDLING
CX65.4	6.5" 2-Way Full Range 4 Ohm Coaxial	100W RMS
CX65.2	6.5" 2-Way Full Range 2 Ohm Coaxial	100W RMS
CX69.4	6.5" 2-Way Full Range 4 Ohm Coaxial	150W RMS
CX69.2	6.5" 2-Way Full Range 2 Ohm Coaxial	150W RMS

## FEATURES

- 100WRMS / 200 MAX Power Handling - CX65.4/CX65.2
- 125WRMS / 250 MAX Power Handling - CX69.4/CX69.2
- Neodymium High Energy Light Weight N45H Magnet structure
- Heavy Duty High Temp Polycarbonate Basket
- 1.4" / 35mm - 4 or 2 Ohm – High Temp Voice Coil for Midbass
- 1.0" / 25.4mm - 4 or 2 Ohm – High Temp Voice Coil for Tweeter
- Frequency Response: 55Hz -20Khz +/- 4dB - CX65.4/CX65.2
- Frequency Response: 45Hz -20Khz +/- 4dB - CX69.4/CX69.2
- High Sensitivity 94dB (2.83V / 1W/1M) - CX65.4 / CX65.2
- High Sensitivity 96dB (2.83V / 1W/1M) - CX69.4 / CX69.2
- Built-In 6dB Crossover
- Mounting Diameter: 5.73" / 145.5mm - CX65.4 / CX65.2
- Mounting Depth: 2.26" / 57.6mm - CX65.4 / CX65.2
- Mounting Diameter: 5.71" / 145.13mm X 8.5 / 217.13mm - CX69.4/CX69.2
- Mounting Depth: 2.65" / 67.5mm - CX69.4/CX69.2

# FEATURES



Model	CX65.4 / CX65.2	CX69.4 / CX69.2
Nominal Diameter- inch (mm)	6.5 (165)	6.41 X 9.2 (163 X 234)
Description	2-Way	2-Way
Nominal Impedance (Ohms)	4Ω / 2Ω	4Ω / 2Ω
Frequency Response (Hz) +/-5dB	55-23kHz	45-23kHz
Kapton Voice Coil Diameter - inch (mm)	1.4 (35.55)	1.4 (35.55)
Power Handling -Watts (RMS/MAX)	100/200	150/300
Fs - Free Air Resonance (Hz)	70	53.6
Qts	0.363	0.548
Vas - cu. ft. (Liter)	0.316 (8.95)	0.914 (25.89)
Sensitivity (1W/1M)	89dB	91.5dB
Sensitivity (2.83V/1M)	94dB	95.5dB
Xmax - inch (mm)	0.16 (4)	0.16 (4)
Mounting Diameter	4.6" (117mm)	5.71" X 8.5" (145.13mm X 217.13mm)
Mounting Depth	2.18" (55.4mm)	2.65" (67.5mm)
Grill / Trim Ring	YES	YES



## Contents

- (1) Pair Motorcycle Grade Speakers
- (8) Phillips head stainless screws
- (1) Pair Removable grills
- (2) Pair 0.187 Insulated Spade lugs

### Installation Considerations before attempting Install:

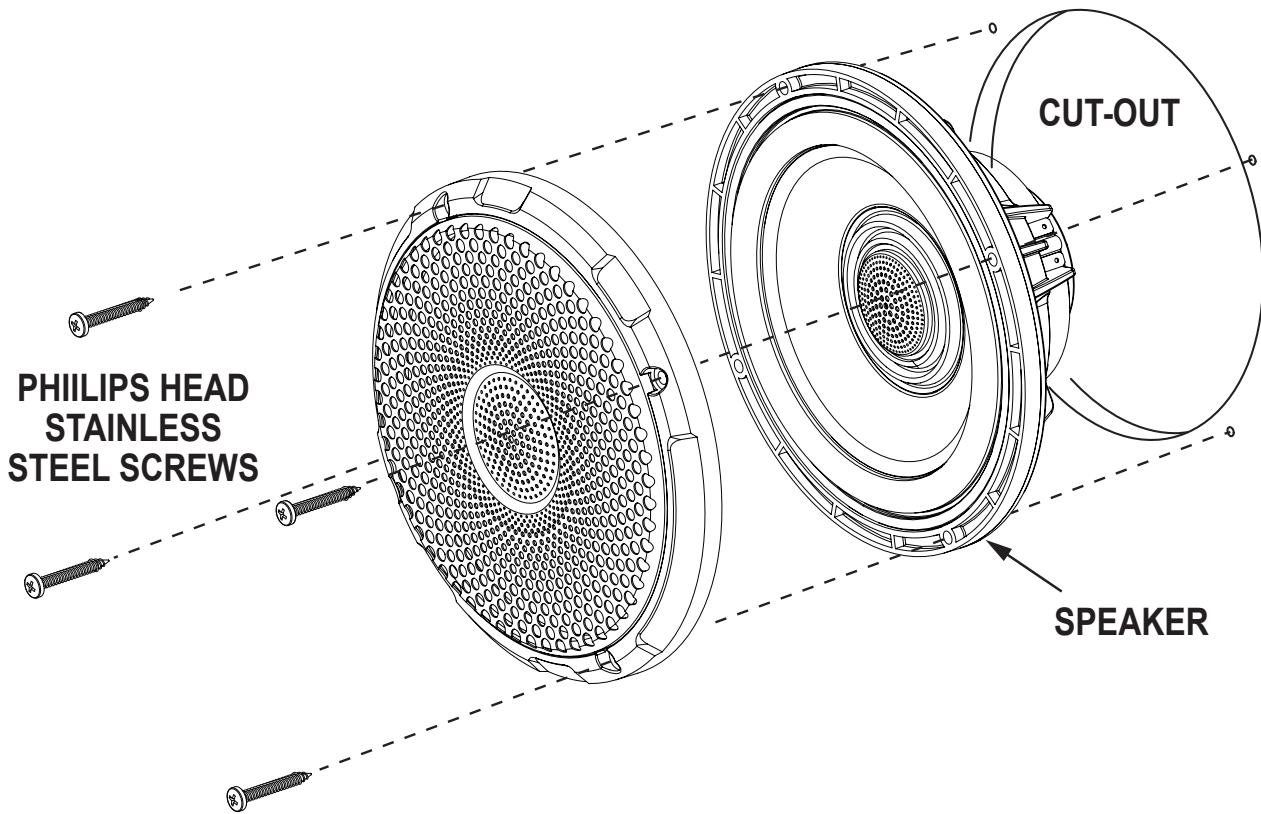
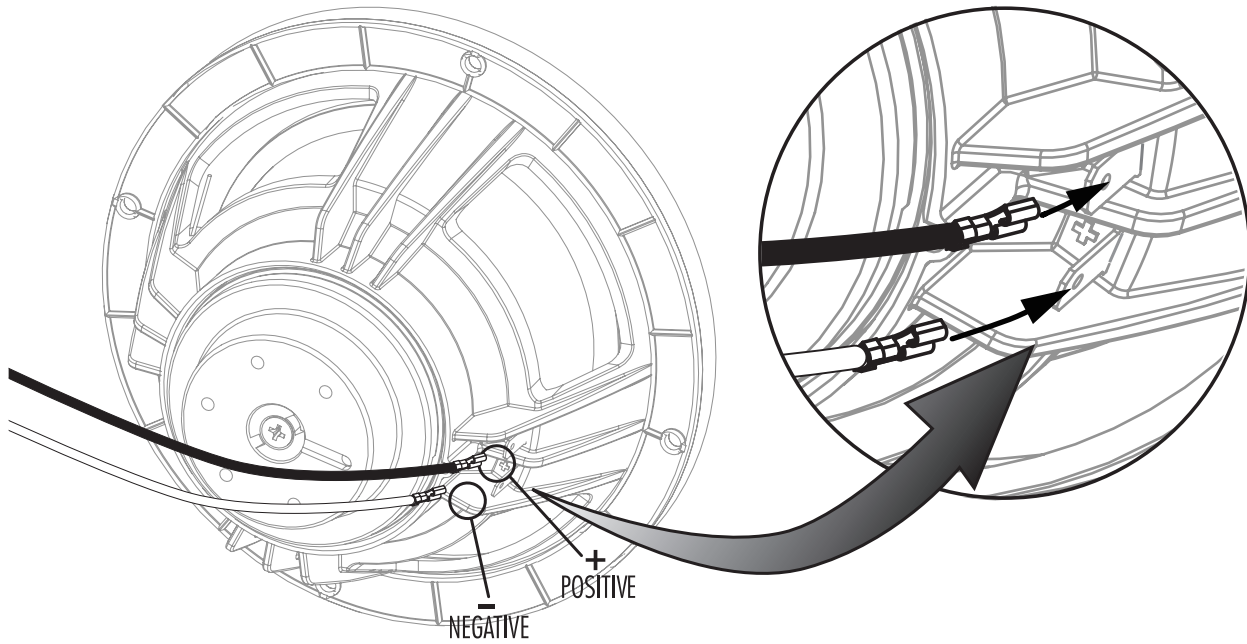
1. Be sure to carefully read and understand the instructions before attempting to install these speakers.
2. For safety, disconnect the negative battery terminal from the battery prior to beginning the installation.
3. For easier assembly, we suggest you run all wires prior to mounting speakers in place
4. Use high quality connectors for a reliable installation and to minimize signal or power loss.
5. Think before you drill! Be careful not to cut or drill into gas tanks, fuel lines, brake or hydraulic lines, vacuum lines or electrical wiring when working on any vehicle. If installing in a boat, take care not to cut or drill through the main hull.
6. Never run wires underneath the vehicle. Running the wires inside the vehicle or hull area provides the best protection.
7. Avoid running wires over or through sharp edges. Use rubber or plastic grommets to protect any wires running through metal, especially the firewall.

## Mounting

1. Determine where the speakers will be mounted. Ensure an area large enough for the speaker to mount evenly. Be sure that the mounting location is deep enough for the speaker to install into. Only mount to a flat surface. Use extra caution when mounting on panels with urethane foam.
2. Refer to the specification chart to determine the proper diameter hole to cut for your speaker model. Cutting and mounting are on page 8 of this manual
3. Mark the locations for the mounting screws. Drill the holes with a 1/8" bit.
4. Feed the speaker wires through the cutout and connect to the speaker terminals. Be sure to observe proper polarity when connecting the wires. The speaker's positive terminal is indicated with a '+'.
5. Fit the trim ring over the speaker and mount into place using eight (8) screws (included).
6. Tighten the screws until the speaker is snug in place to prevent warping the frame. Also make sure that the screws are tightened all the way around and there are no air leaks visible as this will cause serious performance issues



## CLOSE-UP SPEAKER CONNECTION

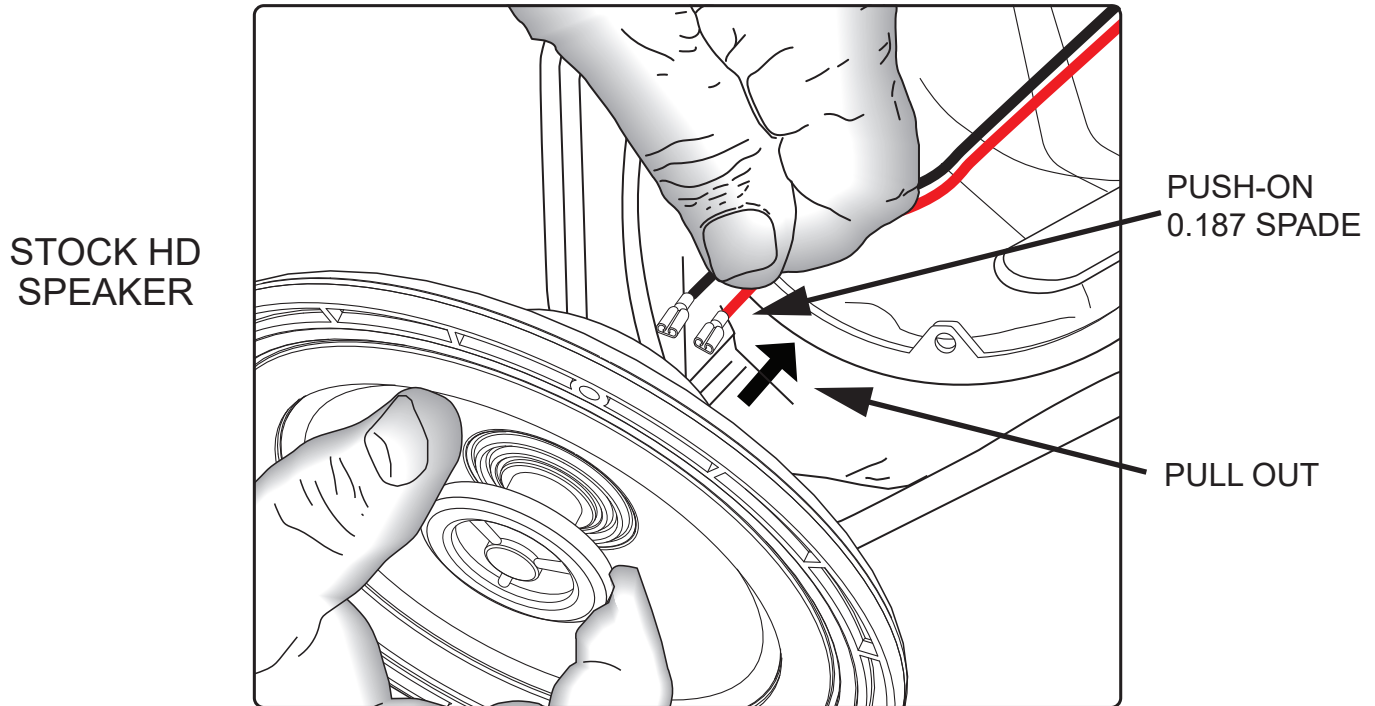


# SPEAKER MOUNTING

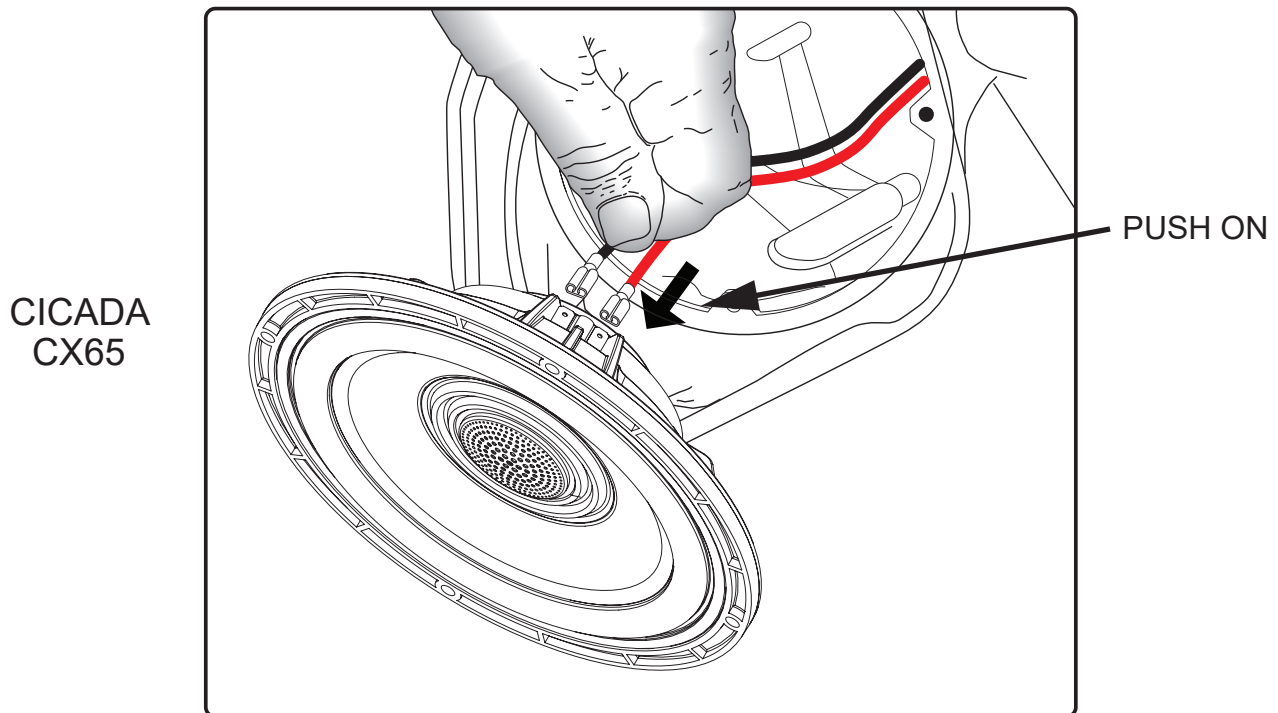


Remove the mounting screws holding the speaker in place.

With the grills removed now take a #20 Torx and remove the stock speaker from the "POD". Remove the push on terminals and remember which is Positive (+) and which is negative (-)



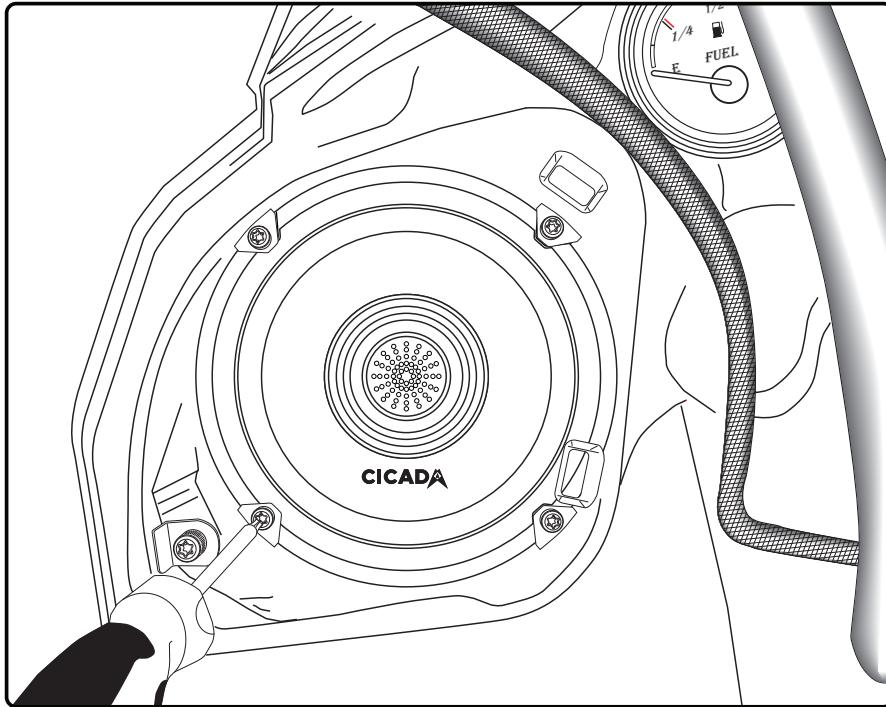
Take your new Cicada Audio speaker and slide the wire connectors over the terminals



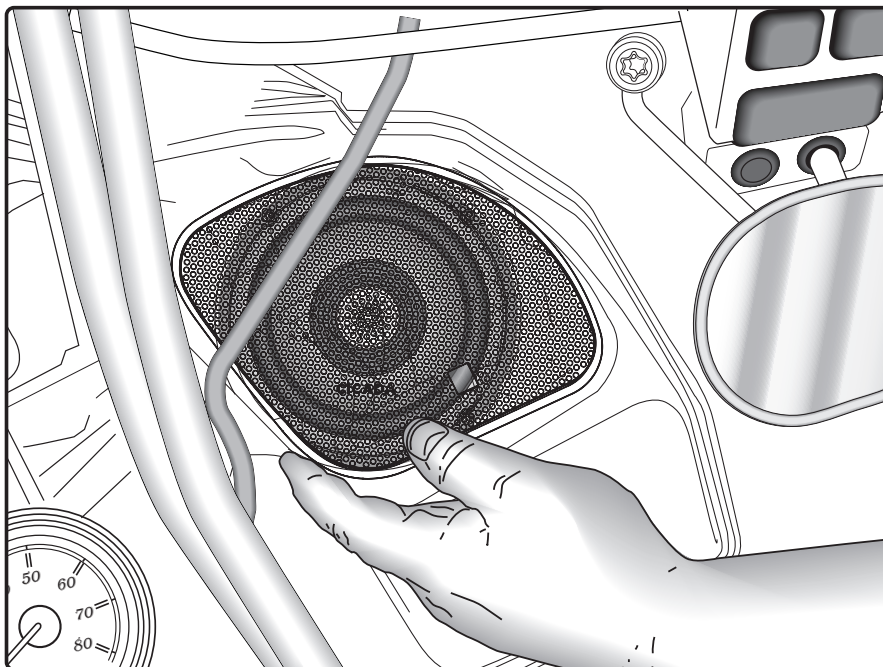
# SPEAKER MOUNTING



Prior to installing the speaker to the pod, there are alignment pins on the pod that the speaker needs to line up to ensure proper fit.

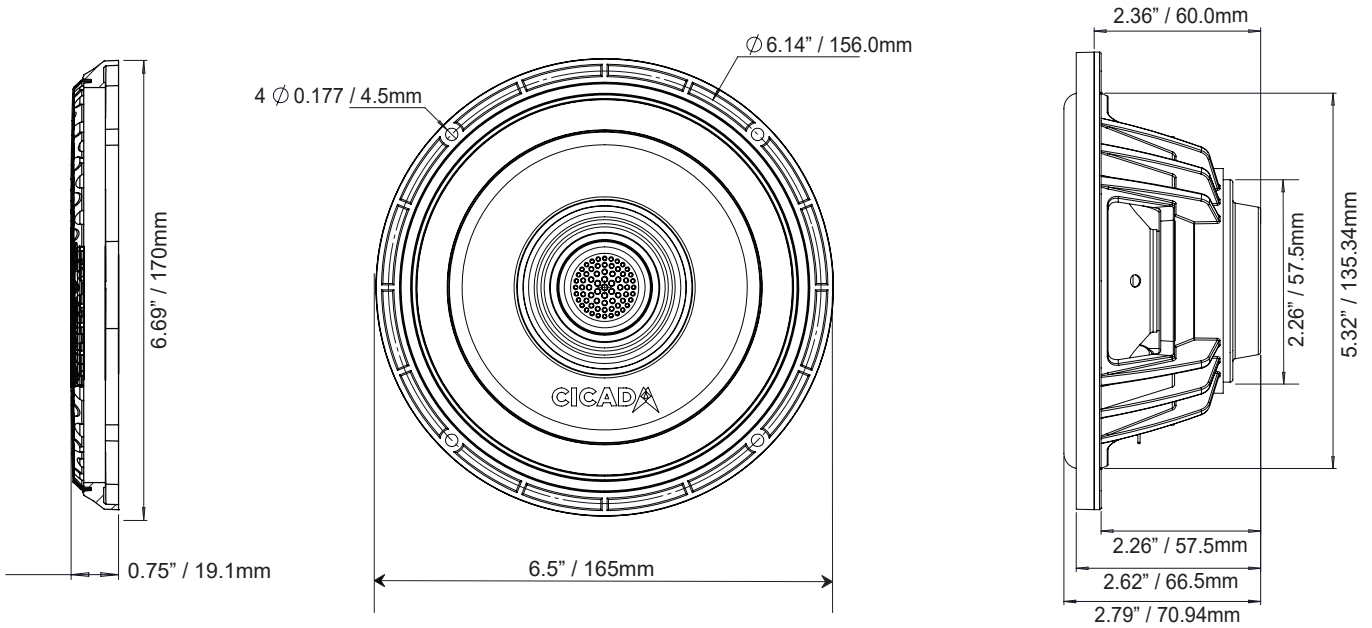


After installing the speaker to the pod, there are alignment pins on the pod that the speaker needs to line up to ensure proper fit.

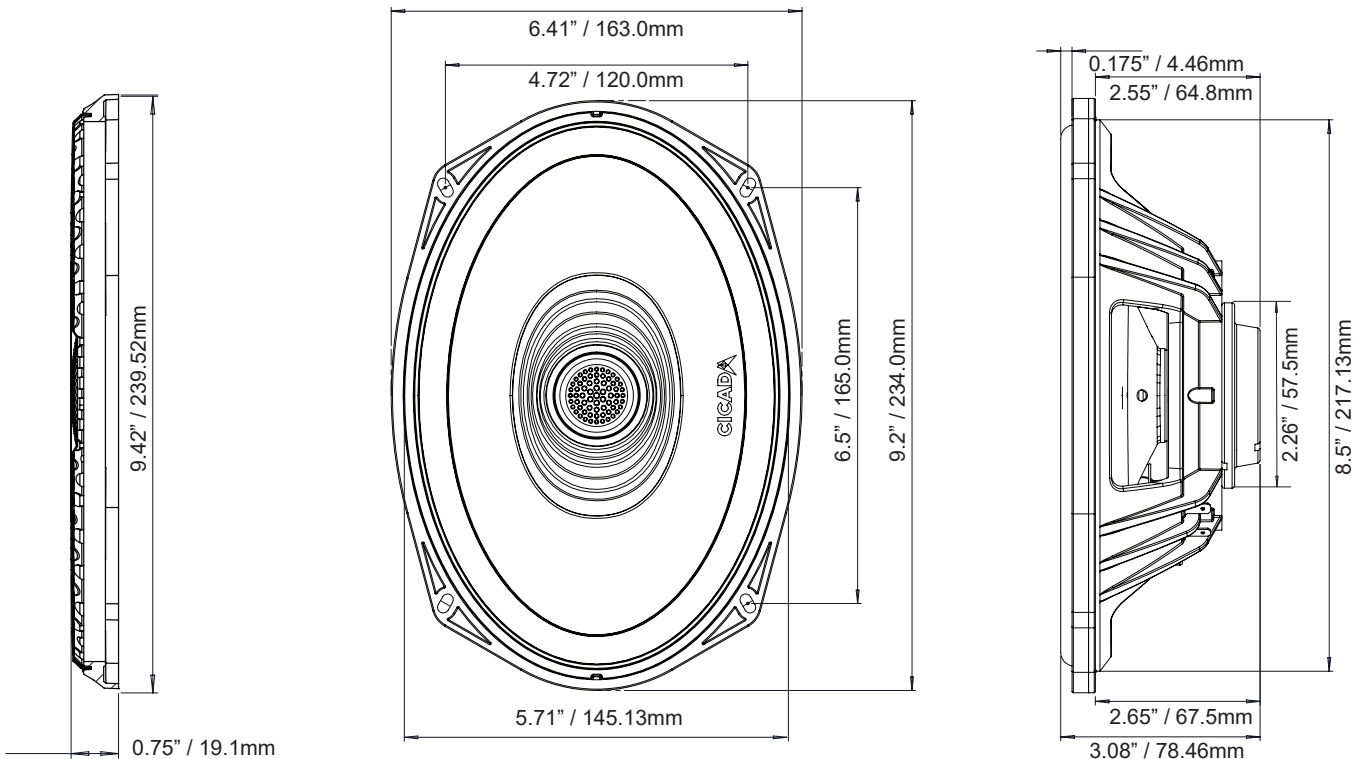




## CX65.4 / CX65.2



## CX69.4 / CX69.2





# LIMITED SPEAKER WARRANTY STATEMENT



Cicada Audio warrants this product to be free of defects and quality workmanship for a period of one (1) year from the original date of purchase. A receipt from an authorized Cicada Audio dealer is required for warranty claim. Product warranty starts on the day of purchase or no longer than two years from the date of manufacture.

**THIS WARRANTY IS NON-TRANSFERABLE AND APPLIES ONLY TO THE ORIGINAL PURCHASER OF THE PRODUCT IN THE ORIGINAL INSTALLATION.**

Should a manufacturing defect occur during the warranty period, Cicada Audio will repair or replace defective product with a product of the same or equivalent value and performance.

Damage or failure caused by improper use is not covered under this warranty. Negligence, improper use, product modification, unauthorized repair, accident, acts of god, dealer misrepresentation and improper or inadequate packaging during return shipment will not be covered.

Warranty is void if serial numbers have been removed or defaced.

## HOW TO OBTAIN WARRANTY SERVICE:

In the event a Cicada Audio product should require service, you should return to your authorized Cicada Audio retailer. All claims must follow the guidelines listed above and be returned with a copy of the original sales receipt.

Product returned for warranty service must be freight prepaid, properly packaged, and clearly marked with the Return Authorization (RA) number issued by Cicada Audio. Products that are returned and are improperly packaged, do not have an RA number clearly marked on the package, or have never been issued an RA number may be refused upon delivery. Cicada does not assume responsibility for lost or mis-labelled products.

Repair or replacement under this warranty is the exclusive remedy of the consumer. Cicada Audio shall not be liable for any incidental or consequential damages for breach of any expressed or implied warranty on this product. Certain states do not allow the exclusion of limitation of incidental or consequential damages, allow limitations on how long an implied warranty lasts, so the above limitations or exclusions may not apply to you. This warranty gives you specific legal rights and you may also have other rights that may vary from state to state.

For factory service contact:

Cicada Audio  
3757 E Broadway Road, Suite 5  
Phoenix, AZ 85040  
Phone: 480-887-8699

[cs@cicadaaudio.com](mailto:cs@cicadaaudio.com)